



CUSTOM FABRICATED CHEMICAL FEED COMPONENTS

BAU/HOPKINS

65 HOLBROOK ST, STE 250 • NORFOLK, MA 02056

508-699-9300

SALES@BAUHOPKINS.com

www.BAUHOPKINS.com



Chemical Metering Skids



CONTACT US FOR A QUOTE

**Contact BAU/Hopkins for Turn-Key Chemical Feed Solutions.
Minimize Downtime and Maximize Efficiency.**





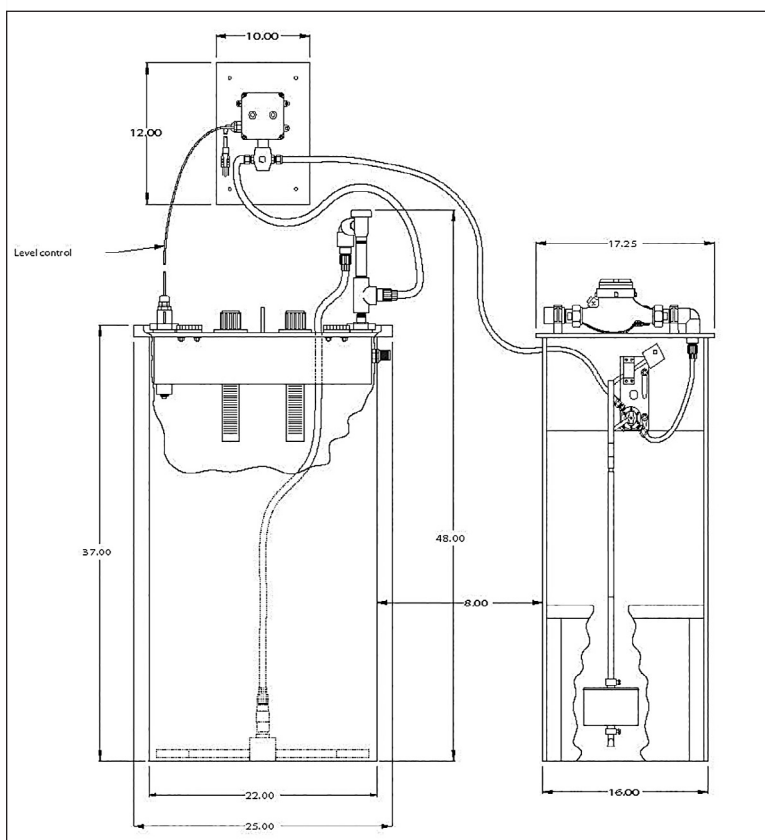
Fluoride Saturator

Fluoride Saturators Chemical Fill Stations

The family of fluoride saturators is the latest in technology for drinking water operators who fluoridate their water systems using Sodium Fluoride (NaF). These saturators use a new design emphasizing simple, rugged construction, corrosion-resistant materials and long lasting components. The units offer a wall mounted solenoid valve to resist corrosion, due to the effect of NaF over time. For additional options, including secondary shutoff assemblies and secondary containment systems, available to round out a proper fluoridation installation, please contact BAU/HOPKINS. All aspects of these products have been developed in conjunction with AWWA and Massachusetts fluoridation standards and recommended practices.

FEATURES

- Rugged 55, 70 and 110 Gallon PE tank
- Cover Mounted Level Control
- Upflow solution flow design for reduced maintenance
- Rigid PE tank cover for supporting dual chemical feed pumps (main and backup pump)
- Sodium Fluoride (NaF) capacity of 200, 250 and 400 lbs
- All thermoplastic construction for superior chemical resistance
- Rugged hinged cover offers 50% opening area for easy filling with NaF powder
- Internal baffle to reduce wave action and protect float assembly
- Labeled 'fill' and 're-fill' levels for NaF replenishment
- Single external tubing connection for easy disassembly
- Flow Distribution Assembly has 50% greater area for more consistent solution generation
- Dual pump pick-up strainers are easily top removable for maintenance
- Equipped with siphon breaker to prevent overfeed due to siphoning
- Easily retrofits to installations currently using other fluoride saturators
- Remote, panel mounted, control box and solenoid valve
- CLA-VAL secondary shutoff control valve
- Flooded suction pump mount
- Concentric secondary containment tank assembly

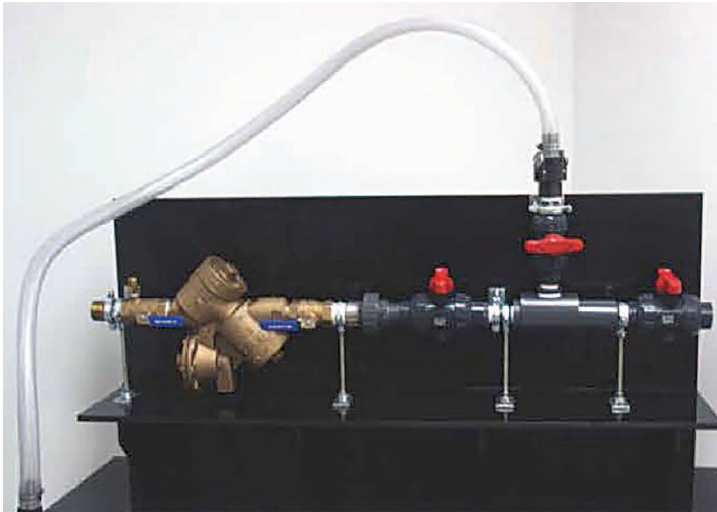


OPTIONAL COMPONENTS

- CLA-VAL secondary shutoff control valve
- Flooded suction pump mount
- Concentric secondary containment tank assembly



Eductor Systems



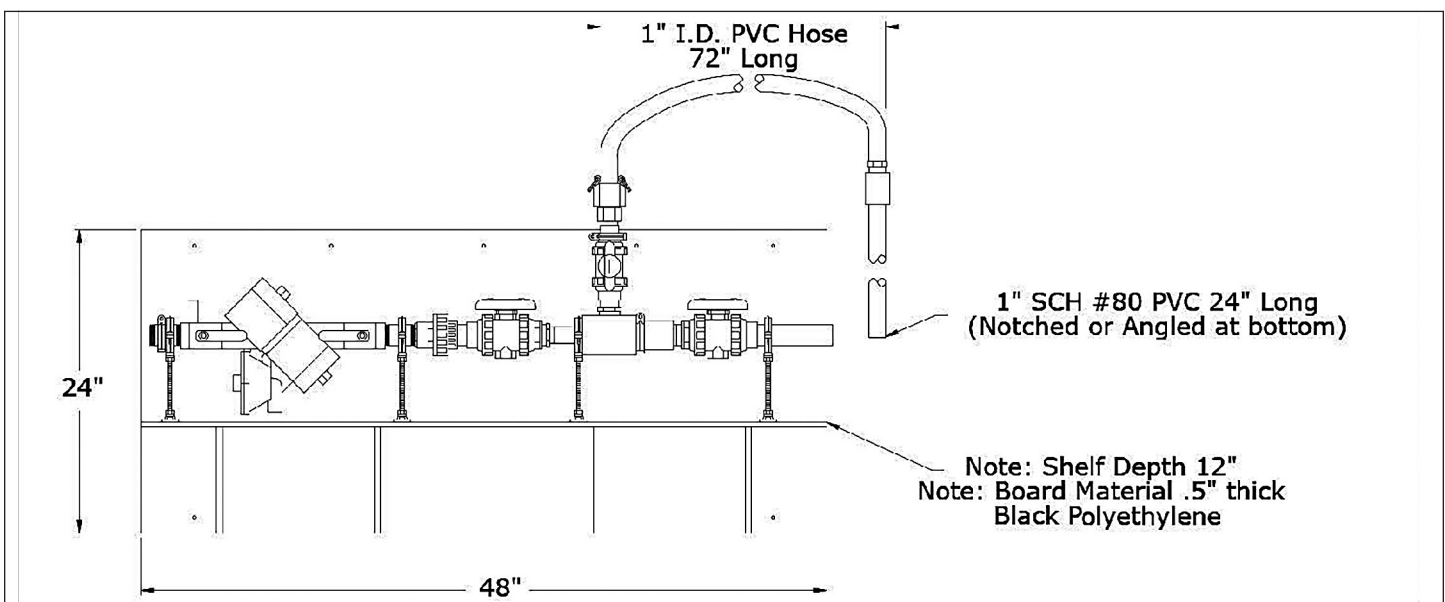
KMnO4 Eductor System

The Potassium Permanganate (KMnO₄) eduction system is a simple and reliable way to hydrate dry chemical as it is pumped to your bulk or day storage tanks. This system is capable of blending up to 22 pounds per minute of free flowing, technical grade, KMnO₄ powder.

The eductor systems provide a cleaner, safer and more accurate method of mixing potassium permanganate and limit operator exposure to dry chemical dust.

FEATURES

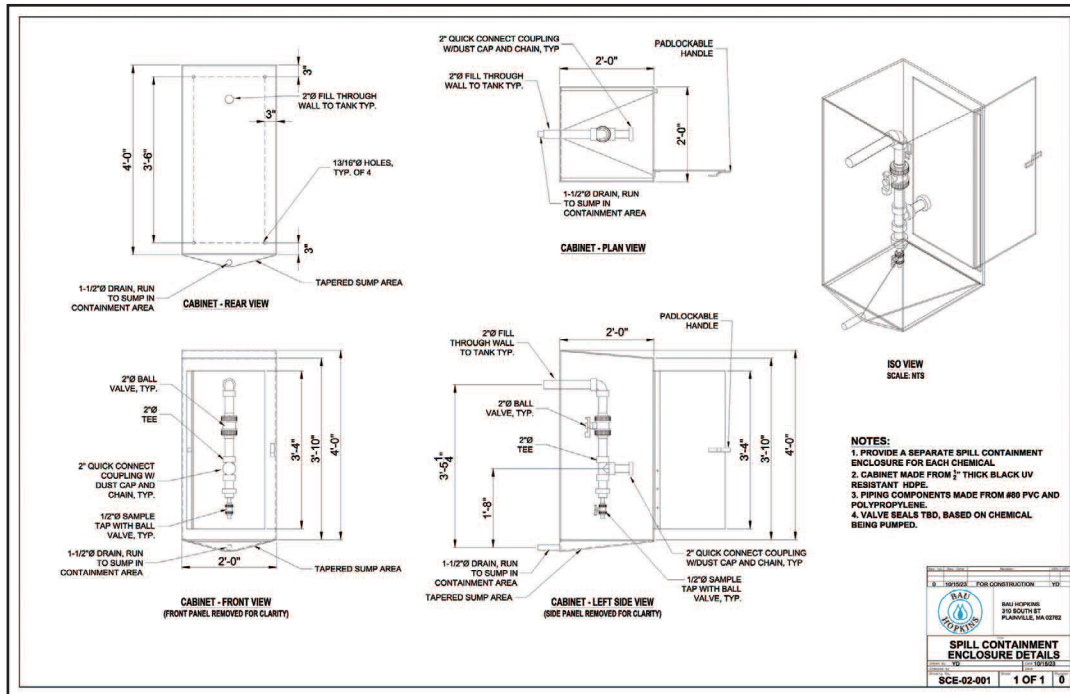
- Isolating ball valves help prevent spills
- AWWA certified backflow prevention device standard
- Suitable for wall or skid mounting
- Clear pickup hose to easily monitor eductor performance
- Notched pickup tube helps to eliminate problems with clogging
- Robust, ½" polyethylene mounting shelf is corrosion & impact resistant
- Small, 48" x 24" x 12", size take up minimal space on wall or skid
- Automatic control made easy via solenoid or motorized ball valves
- Optional flow monitoring of makeup water rate and volume



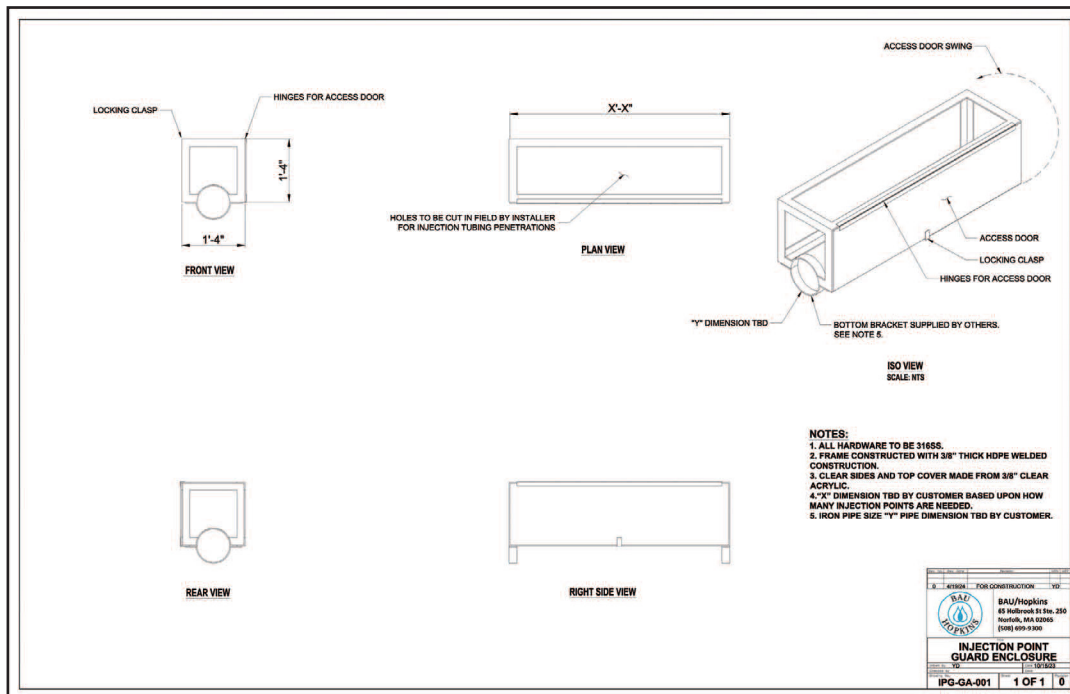


Custom Fabrication

Chemical Fill Stations



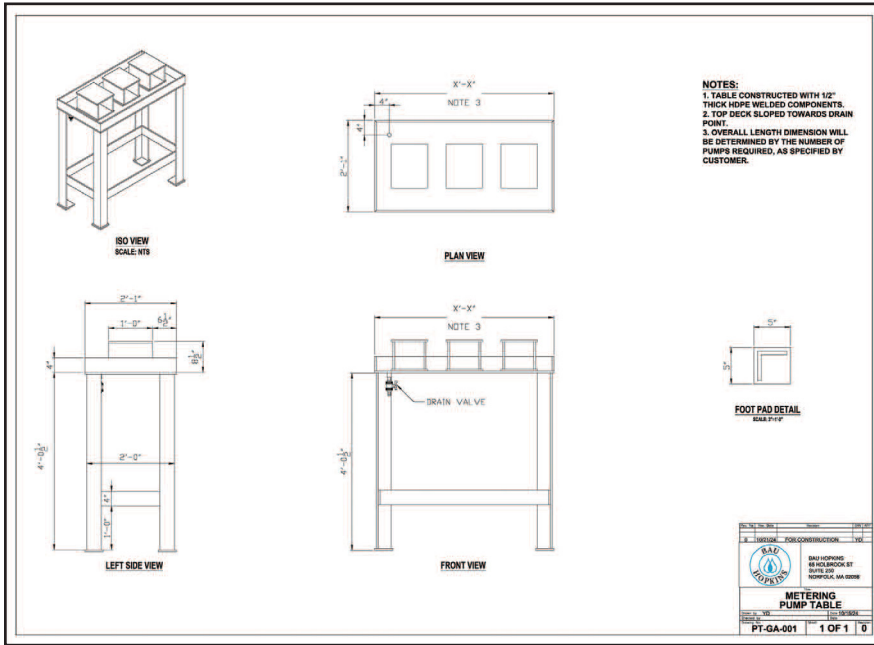
Injection Splash Guards



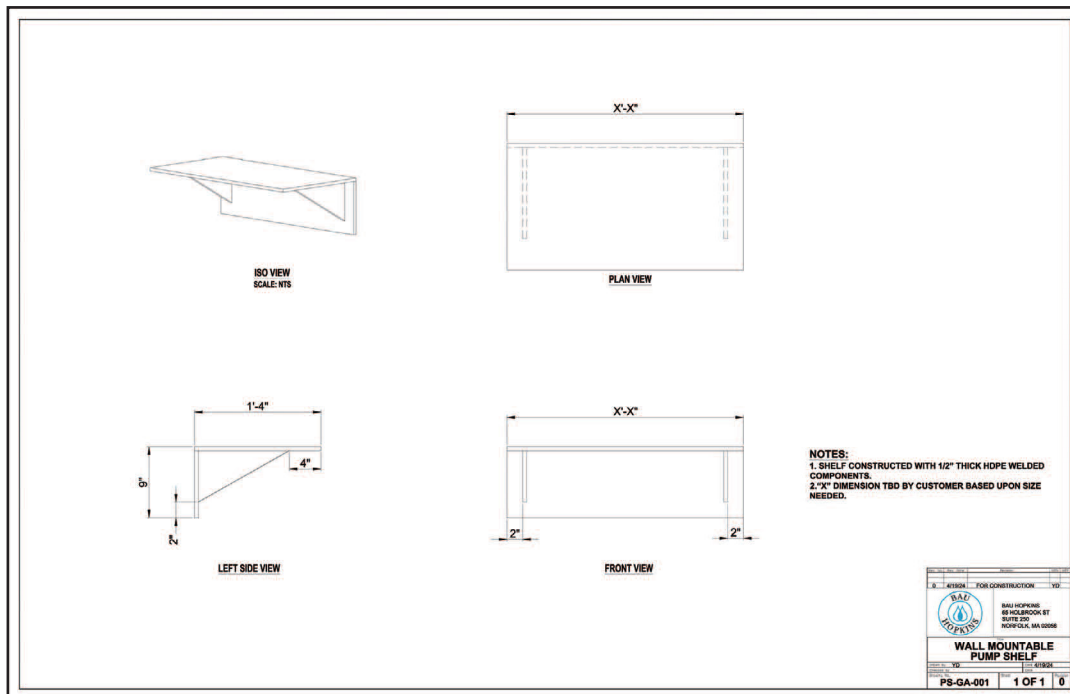


Custom Fabrication

Chemical Feed Table



1, 2 or 3 Pump Shelves





Tubing Connectors and Couplings

Installing pumps often involves making connections to various other equipment and piping systems. This often necessitates connection of 1/4", 3/8" and 1/2" OD polyethylene tubing to rigid PVC, other piping, or making connections to existing tubing. Often these components leak or become disconnected from the tubing. BAU/HOPKINS provides a LEAK-PROOF solution to this problem.

COUPLINGS

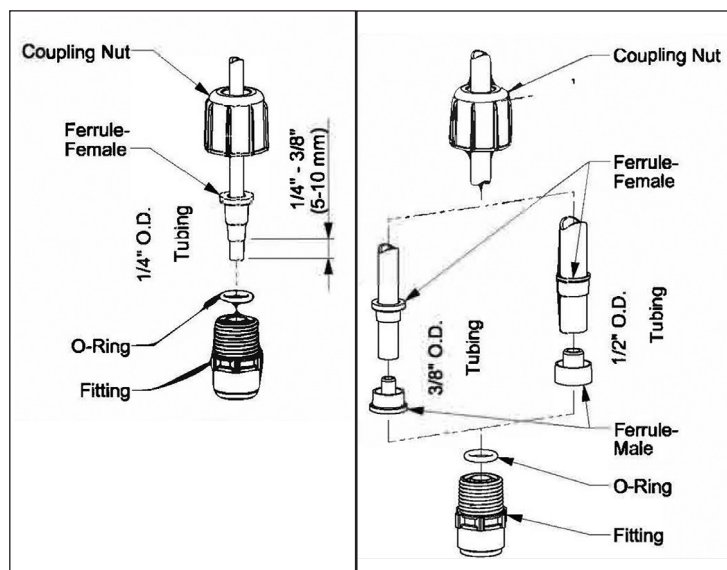
Tubing Couplings from BAU/HOPKINS allow you to connect two pieces of the same size tubing with the same LEAK-PROOF connection you use on your chemical metering pumps. These Tubing Couplings are available for 1/4", 3/8", or 1/2" OD tubing and are machined from solid PVC bar stock for years of trouble free service.

SOCKET ADAPTERS

With BAU/HOPKINS Socket Adapters you can connect 1/4", 3/8", or 1/2" OD tubing to any standard 1/2" F Slip, solvent welded connection. This eliminates the potential leak path, which is present when NPT connections are used to adapt to tubing. Machined from PVC bar stock, these socket adapters are rugged and easy to install.

THREADED ADAPTERS

BAU/HOPKINS' Threaded Adapters provide an easy to install transition to 1/4", 3/8", or 1/2" OD tubing in systems with threaded pipe connections. These Threaded Adapters are available in 1/2" MNPT and 1/2" FNPT and are machined from PVC bar stock for maximum durability. When ease of disassembly is an important consideration, look no further than the Threaded Adapters from BAU/HOPKINS.



COUPLINGS

PART #	DESCRIPTION
BAUCPLG 1/4 x 1/8 Tubing	Coupling, 1/4" OD x 1/8" ID Tubing, PVC
BAUCPLG 3/8 x 1/4 Tubing	Coupling, 3/8" OD x 1/4" ID Tubing, PVC
BAUCPLG 1/2 x 3/8 Tubing	Coupling, 1/2" OD x 3/8" ID Tubing, PVC

SOCKET ADAPTERS

PART #	DESCRIPTION
BAUCONNEC 1/4 T x 1/2 FSlip	Connector, 1/4" Tubing x 1/2" FSlip-PVC
BAUCONNEC 3/8 T x 1/2 FSlip	Connector, 3/8" Tubing x 1/2" FSlip-PVC
BAUCONNEC 1/2 T x 1/2 FSlip	Connector, 1/2" Tubing x 1/2" FSlip-PVC

THREADED ADAPTERS

PART #	DESCRIPTION
BAUCONNEC 1/4 T x 1/2 NPT	Connector, 1/4" Tubing x 1/2" NPT-PVC
BAUCONNEC 3/8 T x 1/2 NPT	Connector, 3/8" Tubing x 1/2" NPT-PVC
BAUCONNEC 1/2 T x 1/2 NPT	Connector, 1/2" Tubing x 1/2" MNPT-PVC New Tubing Connection System
BAUCONNEC 10895	Connector, 1/2" Tubing x 1/2" MNPT-PVC Old Tubing Connection System